

Enchufes rápidos / Llaves de paso

Coupleurs rapides / Robinets

Quick release couplings / Ball valves

Hydraulik Steck-Kupplungen / Block-Kugelhahn

DICSA

Enchufe Rápido Válvula Plana Ecológico

Acero Inoxidable

Flat Face Quick Release

Couplings "Ecological"

Stainless Steel

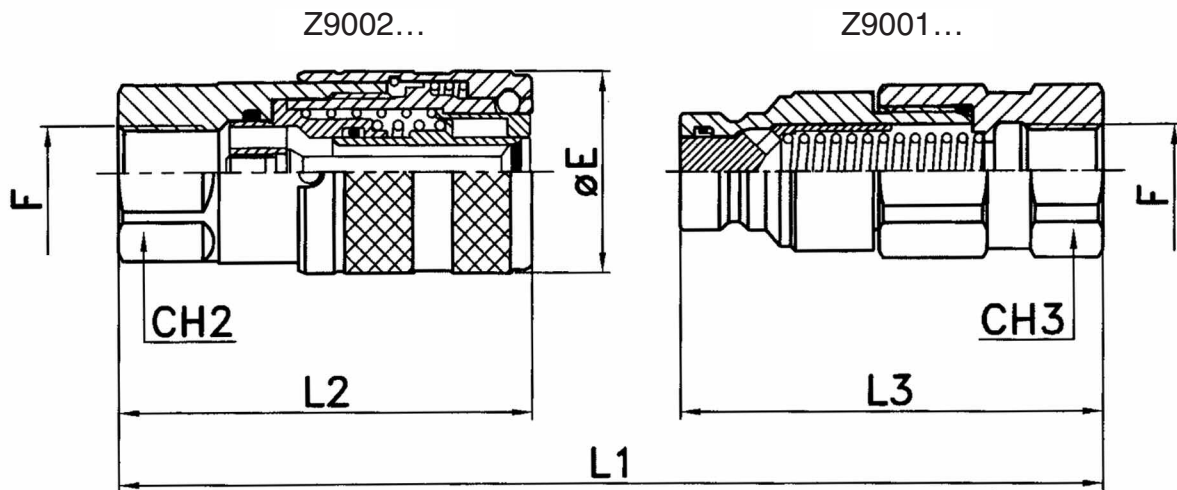
Coupleur Rapide à Clapet Face Plat "Ecologique"

Acier Inoxydable

Flachdichtende Steckkupplungen

"Ökologisch"

Edelstahl



DATOS TÉCNICOS / CARACTÉRISTIQUES TECHNIQUES / TECHNICAL DATAS / TECHNISCHE MERKMALE

DN	F	CH2	CH3	Ø E	L1	L2	L3	Max. working pressure (bar)	(l/m)	Code	Code
6,2	G 1/4	22	22	28	86	48	48	300	18	Z900204	Z900104
8,7	G 3/8	27	27	32	118	68	67	250	38	Z900206	Z900106
8,7	G 1/2	32	32	32	125	74	68	250	75	Z900208	Z900108
11	G 3/4	36	36	38	130	79	70	200	100	Z900212	Z900112
15	G 1	45	45	48	153	93	82	150	140	Z900216	Z900116

MATERIAL: Inox AISI 316 - Muelles AISI 302

JUNTAS: VITON® (-25°C +200°C)

*Otras juntas, consultar

ANILLO ANTI-EXTRUSIÓN: En Teflón puro

*Otras roscas, consultar

MATERIAL: Stainless steel AISI 316 - Springs in AISI 302

JOINTS: VITON™ (-25°C +200°C)

*Other joints, on request

BACK-UP RING: In pure Teflon

* Other threads, on request

MATÉRIEL: Acier Inoxydable AISI 316 - Ressorts en AISI 302

JOINTS: VITON™ (-25°C +200°C)

*Autres joints, sur demande

BAGUE ANTI-EXTRUSION: En Teflon pur

*Autres filetages, sur demande

WERKSTOFF: Edelstahl AISI 316 - Federn aus AISI 302

DICHTUNGEN: VITON™ (-25°C +200°C)

*Andere Dichtungen auf Anfrage

STUETZRING: Aus rein Teflon

*Andere gewinde, auf Anfrage

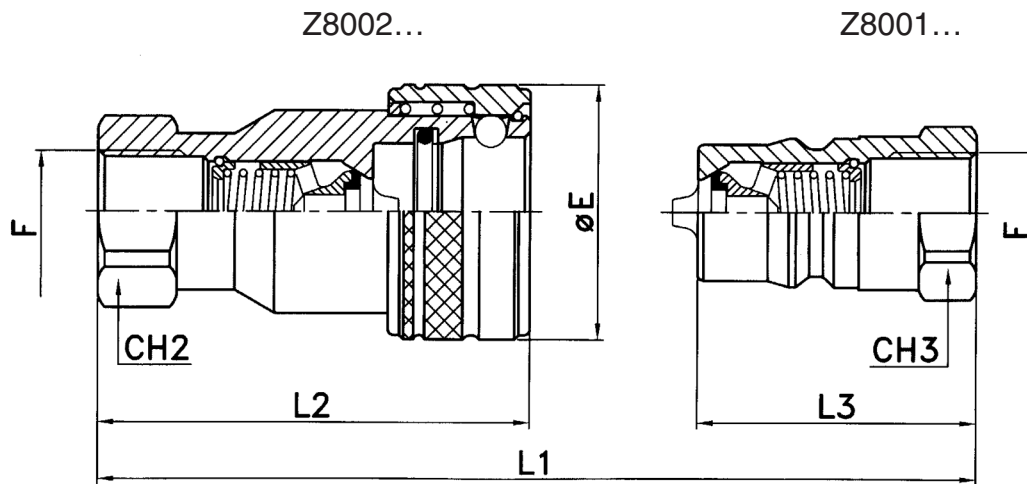
TECHNICAL DATAS
CRIMP FITTINGS FOR HOSES
PIPE FITTINGS DIN 2353
ADAPTORS
FLARE FITTINGS JIC SAE J 514
WELDING FITTINGS
FOOD AND INDUSTRIAL FITTINGS
QUICK RELEASE COUPLINGS
CLAMPS

Enchufe Rápido de Punzón ISO B
Acero Inoxidable

Quick Release Couplings ISO B
Stainless Steel

Coupleur Rapide à Clapet ISO B
Acier Inoxydable

Hydraulik Steck Kupplungen
Edelstahl



DATOS TÉCNICOS / CARACTÉRISTIQUES TECHNIQUES / TECHNICAL DATAS / TESCHNISCHE MERKMALE

DN	F	CH2	CH3	Ø E	L1	L2	L3	Max. working pressure (bar)	(l/m)	Code	Code
6,5	G 1/4	19	19	28	72	57	39	300	16	Z800104	Z800204
9	G 3/8	22	22	35	78	64	42,3	250	30	Z800106	Z800206
10,5	G 1/2	27	27	42	90	72	49	250	41	Z800108	Z800208
15,6	G 3/4	34	34	51,5	105	86	58	250	92	Z800112	Z800212
17,3	G 1	41	41	60	125	102	68	200	113	Z800116	Z800216

MATERIAL: Inox AISI 316 - Muelles AISI 302
JUNTAS: VITON® (-25°C +200°C)
*Otras juntas, consultar
ANILLO ANTI-EXTRUSIÓN: En Teflón puro
*Otras roscas, consultar

MATERIAL: Stainless steel AISI 316 - Springs in AISI 302
JOINTS: VITON™ (-25°C +200°C)
*Other joints, on request
BACK-UP RING: In pure Teflon
* Other threads, on request

MATÉRIEL: Acier Inoxydable AISI 316 - Ressorts en AISI 302
JOINTS: VITON™ (-25°C +200°C)
*Autres joints, sur demande
BAGUE ANTI-EXTRUSION: En Teflon pur
*Autres filetages, sur demande

WERKSTOFF: Edelstahl AISI 316 - Federn aus AISI 302
DICHTUNGEN: VITON™ (-25°C +200°C)
*Andere Dichtungen auf Anfrage
STUETZRING: Aus rein Teflon
*Andere gewinde, auf Anfrage

Enchufe Rápido Auto-roscante

Acero Inoxidable

Quick Release Screw Couplings

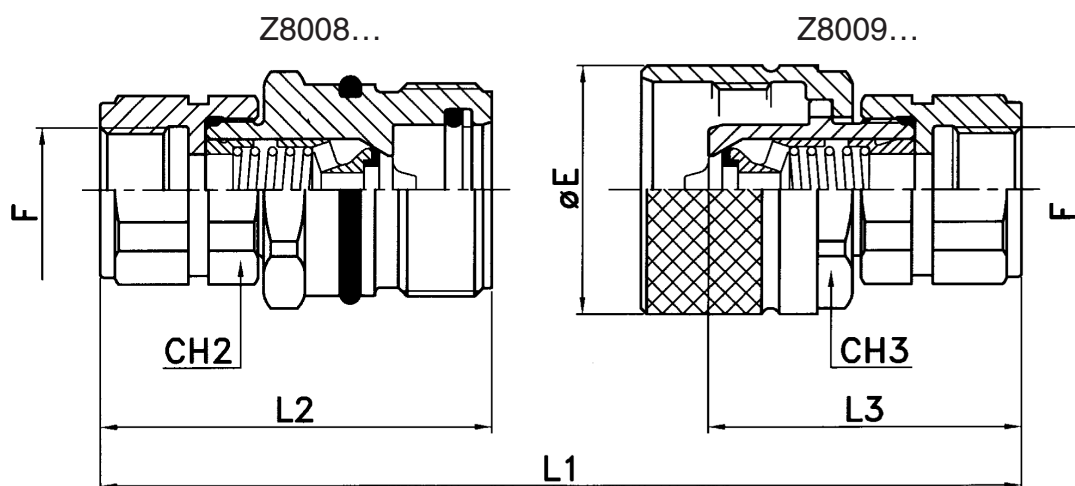
Stainless Steel

Coupleur Rapide à Visser Filetage BSP

Acier Inoxydable

Schraubkupplungen

Edelstahl



DATOS TÉCNICOS / CARACTÉRISTIQUES TECHNIQUES / TECHNICAL DATAS / TECHNISCHE MERKMALE

DN	F	CH2	CH3	Ø E	L1	L2	L3	Max. working pressure (bar)	(l/m)	Code	Code
8	G 3/8	22	22	34	98	64	49	350	25	Z800806	Z800906
10,6	G 1/2	30	30	42	103	67	53	300	43	Z800808	Z800908
15,7	G 3/4	36	36	47,5	132	86	67	300	93	Z800812	Z800912
17,3	G 1	41	41	55	152	100	78	250	113	Z800816	Z800916

MATERIAL: Inox AISI 316 - Muelles AISI 302

JUNTAS: VITON® (-25°C +200°C)

*Otras juntas, consultar

ANILLO ANTI-EXTRUSIÓN: En Teflón puro

MATERIAL: Stainless steel AISI 316 - Springs in AISI 302

JOINTS: VITON™ (-25°C +200°C)

*Other joints, on request

BACK-UP RING: In pure Teflon

MATÉRIEL: Acier Inoxydable AISI 316 - Ressorts en AISI 302

JOINTS: VITON™ (-25°C +200°C)

*Autres joints, sur demande

BAGUE ANTI-EXTRUSION: En Teflon pur

WERKSTOFF: Edelstahl AISI 316 - Federn aus AISI 302

DICHTUNGEN: VITON™ (-25°C +200°C)

*Andere Dichtungen auf Anfrage

STUETZRING: Aus rein Teflon

Enchufe Rápido Paso Total

Acero Inoxidable

Quick Release Couplings Free Flow

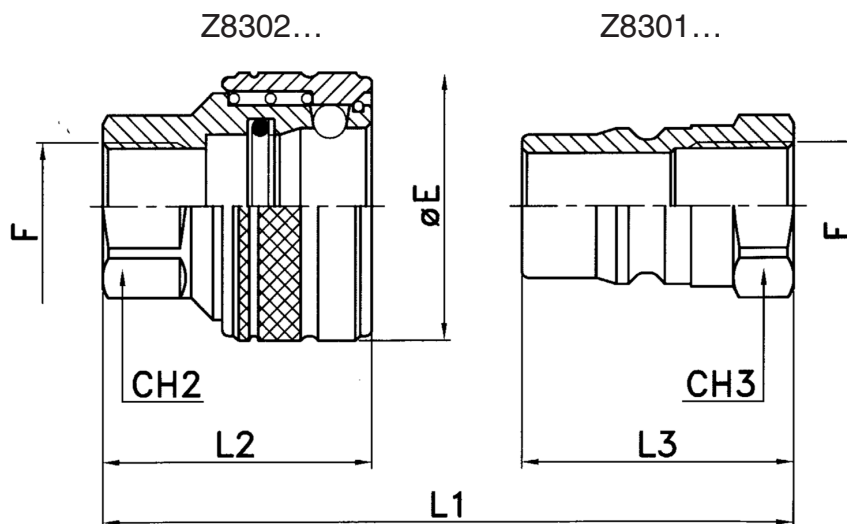
Stainless Steel

Coupleur Rapide Passage Libre

Acier Inoxydable

Hydraulik Steck Kupplungen Freier Durchlauf

Edelstahl

**DATOS TÉCNICOS / CARACTÉRISTIQUES TECHNIQUES / TECHNICAL DATAS / TESCHNISCHE MERKMALE**

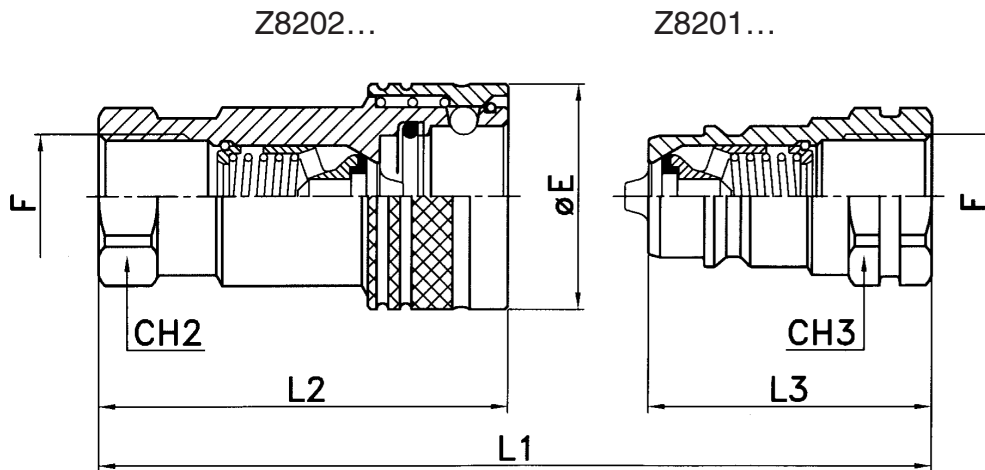
DN	F	CH2	CH3	Ø E	L1	L2	L3	(l/m)	Code	Code
11	G 1/4	19	19	28	52	38	35	46	Z830104	Z830204
15	G 3/8	24	22	35	56	42	39	85	Z830106	Z830206
19	G 1/2	27	27	42	63	46	45	136	Z830108	Z830208
24	G 3/4	36	34	51,5	74	54	53,5	220	Z830112	Z830212
29	G 1	41	41	60	87	64	63	320	Z830116	Z830216
38	G 1 1/4	65	60	75	117	85	85	540	Z830120	Z830220
38	G 1 1/2	65	60	75	117	85	85	540	Z830124	Z830224
53	G 2	80	70	105	135	100	100	1100	Z830132	Z830232

Enchufe Rápido de Punzón ISO A
Acero Inoxidable

Quick Release Couplings ISO A
Stainless Steel

Coupleur Rapide à Clapet ISO A
Acier Inoxydable

Hydraulik Steck Kupplungen ISO A
Edelstahl



DATOS TÉCNICOS / CARACTÉRISTIQUES TECHNIQUES / TECHNICAL DATAS / TECHNISCHE MERKMALE

DN	F	CH2	CH3	Ø E	L1	L2	L3	Max. working pressure (bar)	Code	Code
5	G 1/4	19	19	27	75	54	38	315	Z820104	Z820204
8	G 3/8	24	22	30	80	60	40	315	Z820106	Z820206
10,6	G 1/2	27	27	38	96	70	48	250	Z820108	Z820208
15,7	G 3/4	36	36	45	110	82	55	250	Z820112	Z820212
17,3	G 1	41	41	52	132	99	65	200	Z820116	Z820216

MATERIAL: Inox AISI 316 - Muelles AISI 302
JUNTAS: VITON® (-25°C +200°C)
*Otras juntas, consultar
ANILLO ANTI-EXTRUSIÓN: En Teflón puro

MATERIAL: Stainless steel AISI 316 - Springs in AISI 302
JOINTS: VITON™ (-25°C +200°C)
*Other joints, on request
BACK-UP RING: In pure Teflon

MATÉRIEL: Acier Inoxydable AISI 316 - Ressorts en AISI 302
JOINTS: VITON™ (-25°C +200°C)
*Autres joints, sur demande
BAGUE ANTI-EXTRUSION: En Teflon pur

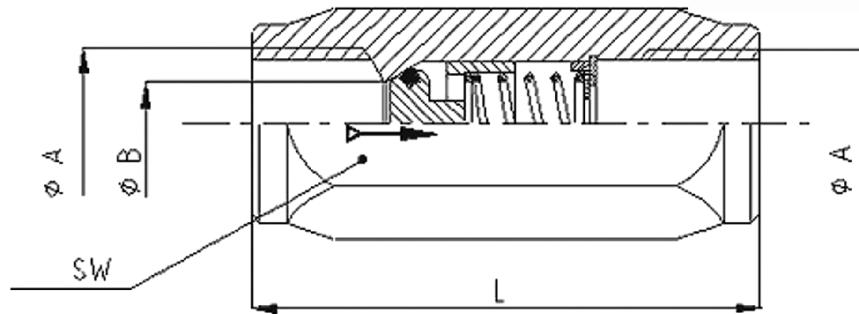
WERKSTOFF: Edelstahl AISI 316 - Federn aus AISI 302
DICHTUNGEN: VITON™ (-25°C +200°C)
*Andere Dichtungen auf Anfrage
STUETZRING: Aus rein Teflon

Válvula Antirretorno

Non-Return Valve

Anti-Retour Clapet

Einwegventil



DATOS TÉCNICOS / CARACTÉRISTIQUES TECHNIQUES / TECHNICAL DATAS / TESCHNISCHE MERKMALE

Code	ØA	L	SW	ØB	S(mm ²)	P(bar)
Z FPR 1/4	1/4"	50	19	7	38	350
Z FPR 3/8	3/8"	60	24	10	42	350
Z FPR 1/2	1/2"	65	27	11	100	350
Z FPR 3/4	3/4"	75	34	17	180	300
Z FPR 1	1"	93	41	21	300	250

MATERIAL: Acero Inoxidable AISI 316.
Juntas standard en VITON
Presión de apertura standard 0,5 bar.

MATÉRIEL: Acier Inoxydable AISI 316.
Joints standard en VITON.
Pression d'ouverture standard 0,5 bar.

Material: Stainless steel AISI 316.
Standard seals in VITON rubber.
Standard opening pressure 0,5 bar.

Material: Edelstahl.
Standorddichtungen im VITON.
Standardöffnung Druck 0,5 bar.